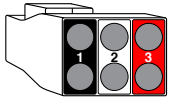


Everline Driver Application Note: Quad Channel Wiring Harness Configurations

The following wiring diagrams are only applicable to Everline LED drivers with quad channel outputs. These diagrams are provided to help demonstrate options available for different configurations in common linear fixture applications.

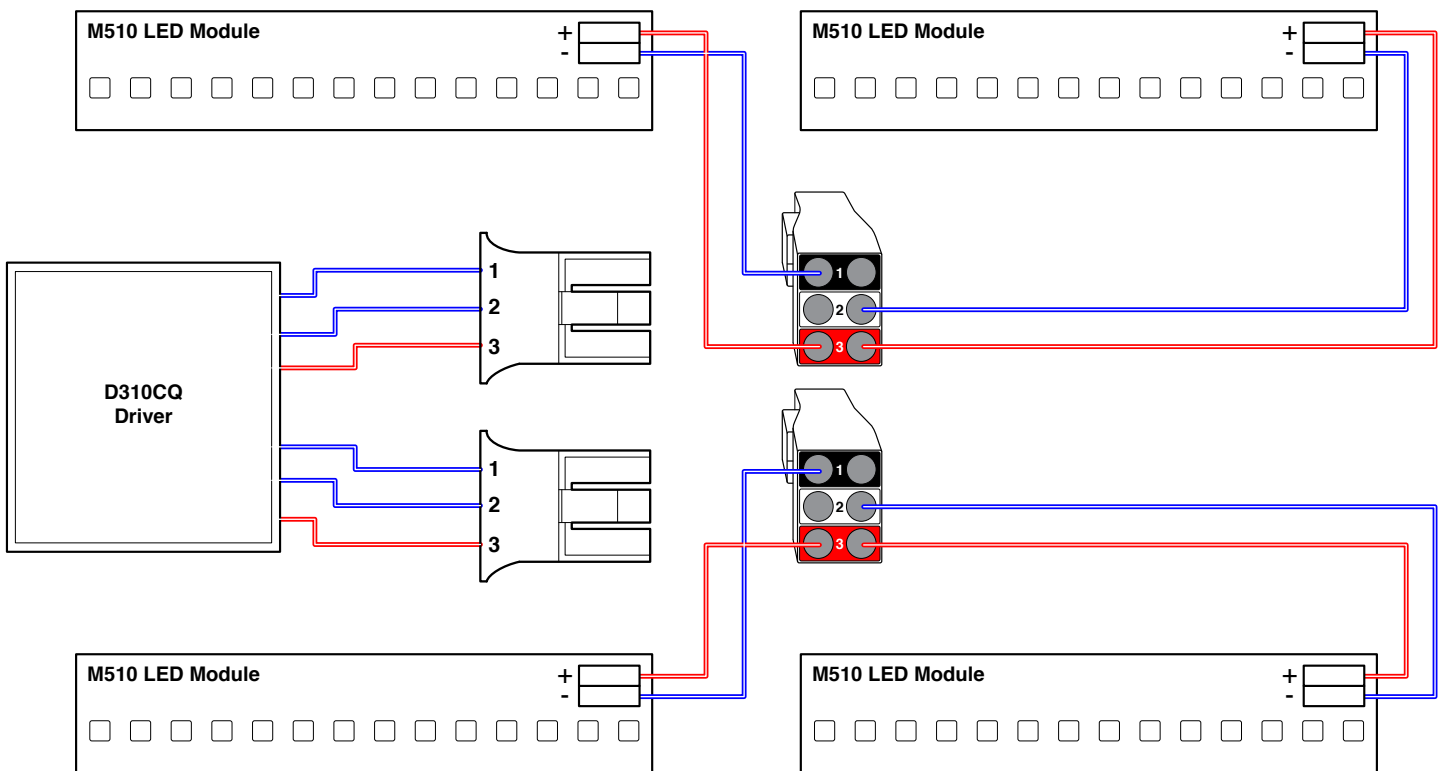
Quad channel drivers are provided with two output connectors where each connector controls two channels. The red (positive) lead is the common point for the channels. The connector is used to connect to the LED modules. This connector makes three electrical connections to its mate but the wiring input section allows for two wires to be commonly connected to a single terminal.



Wago Connector: 873 - 903 Series
Incorporates two lead inserts for each position

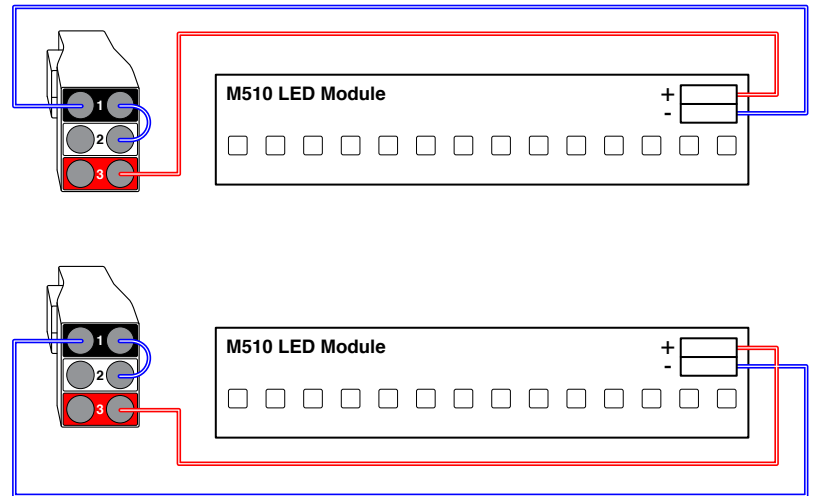
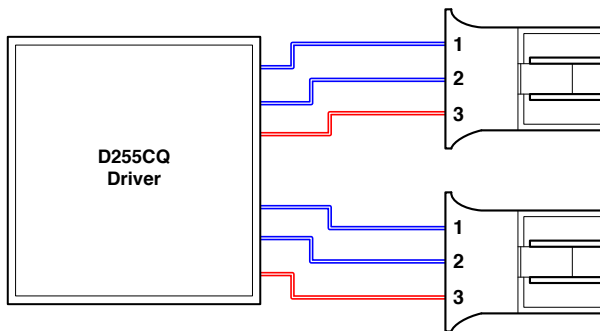
2 x 4 Application

Four output channels (one for each module) with each module operating at 310mA.



2 x 2 Application

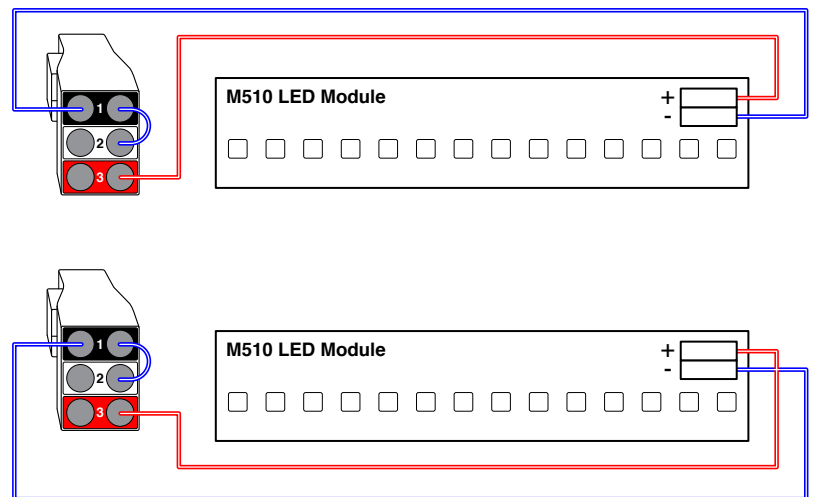
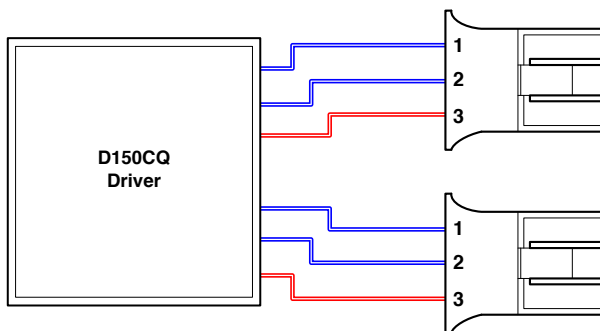
Parallels two outputs together to create two channels with 510mA each.



Jumper the two connections together as shown to parallel the outputs from the driver.

1 x 4 Application

Parallels two outputs together to create two channels with 300mA each.



Jumper the two connections together as shown to parallel the outputs from the driver.