

Everline Module Application Note: Linear LED Module Installation Instructions

The purpose of this AP Note is to provide a reference guide for installation of the ULT Linear LED Modules.

FIG.1 shows the 12 mounting slots for the module examples, it is necessary to use at least 6 of the slots as indicated by the different colors shown, slot A should have a fastener to provide strain relief with the adjacent terminal. Slots with wires in adjacent terminals on the M10CC8xxD56NyS module should also have fasteners to provide strain relief. Refer to FIG. 2 for installation of the LED Module to a backing plate. Align Module, and optional Thermal Interface Material (TIM) if required, with selected mounting hole pattern. Hand tighten stainless steel or aluminum M4 self-tapping screw and an M4 nylon flat washer into the backing plate leaving the screw hand tight. Screw length may vary depending on the TIM, nylon washer, and the backing plate thicknesses. Repeat this step for the remaining screws. Tighten all screws to a torque of 0.6nm-1.0nm.

Other equivalent fasteners may also be used for mounting the module. For further information on TIM selection, refer to ULT Application Note EVM02.

FIG. 1 Slot/Hole Patterns

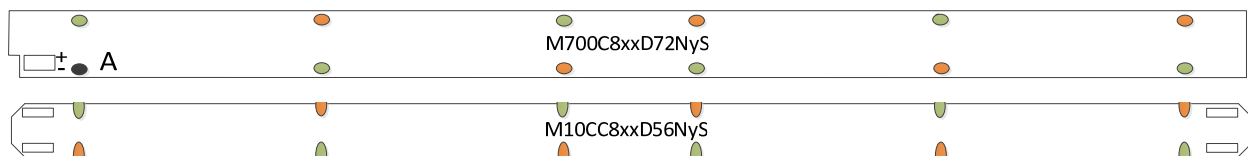
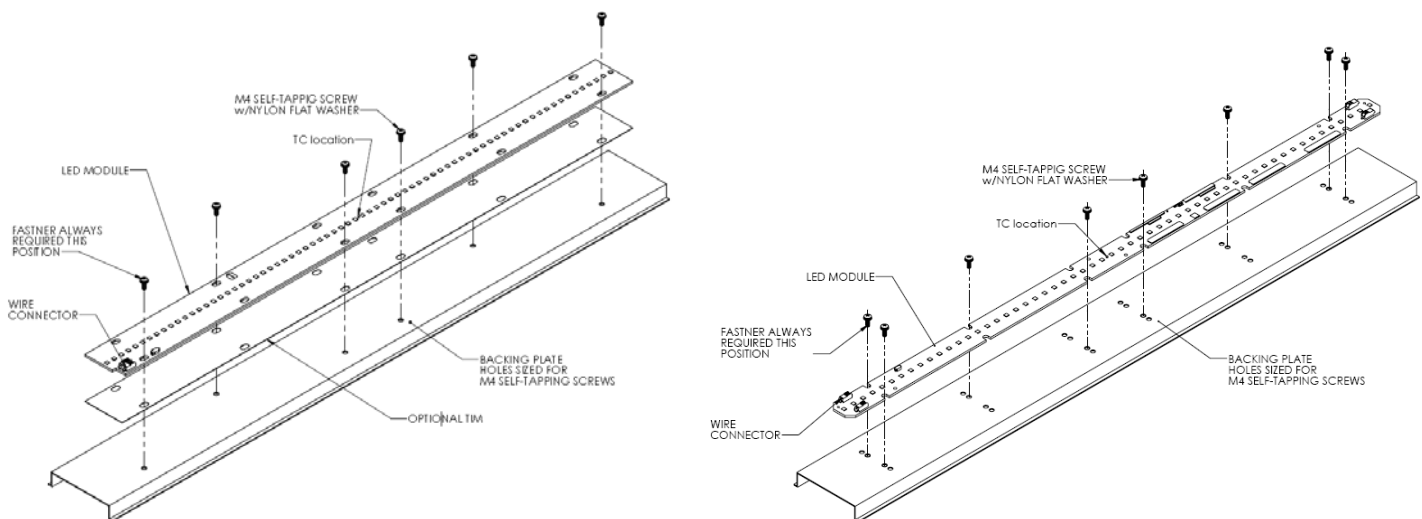


FIG. 2 Suggested Mounting



For further assistance or ordering information please contact Universal lighting technologies @ 1-800-BALLAST or visit our website at <http://www.unvlt.com/>