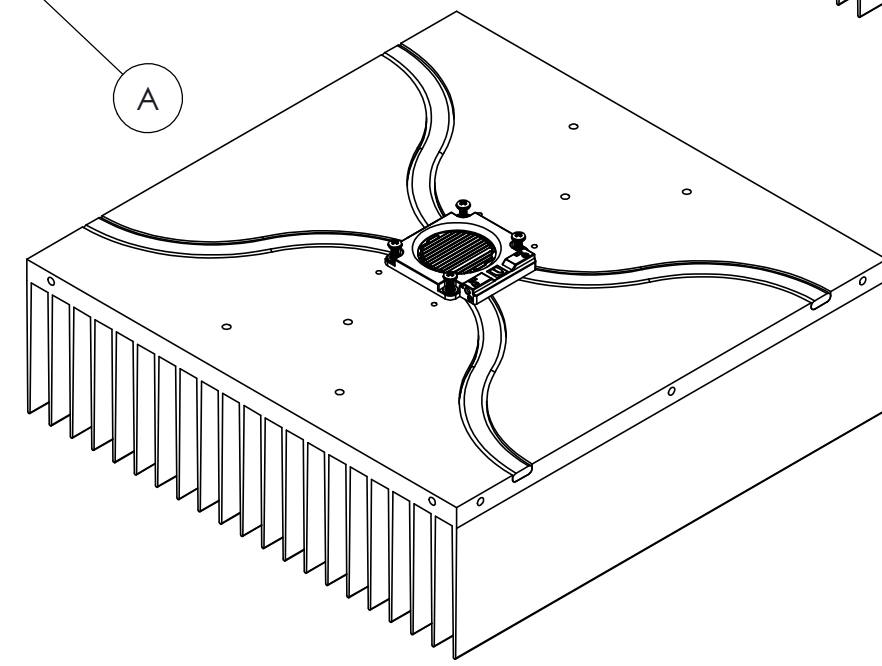
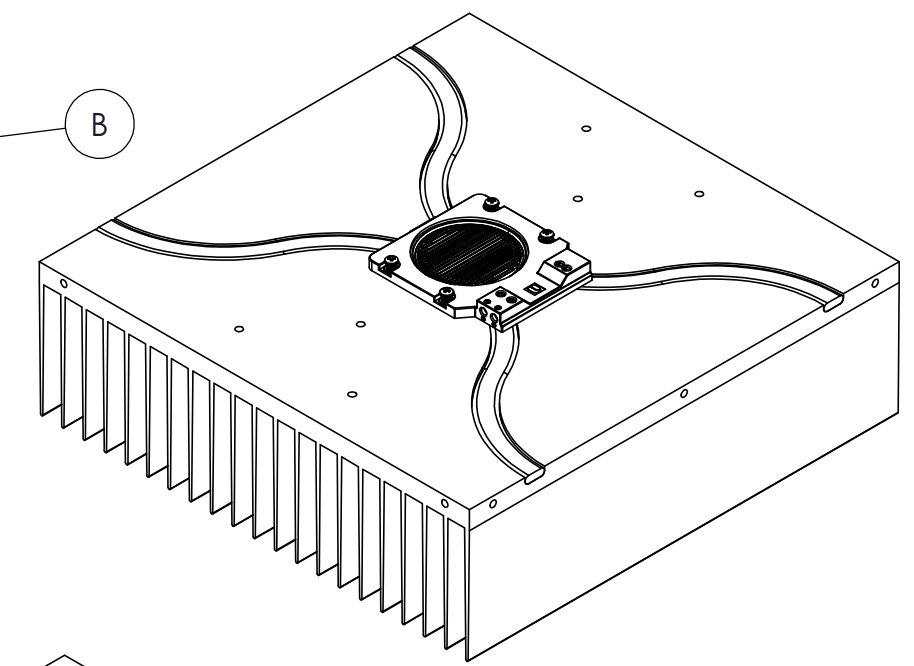
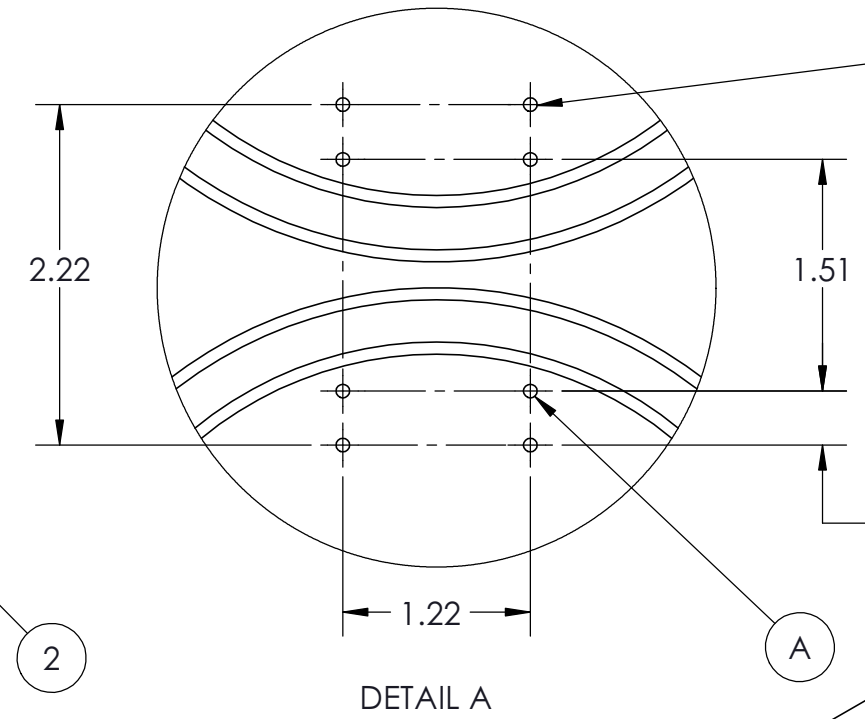
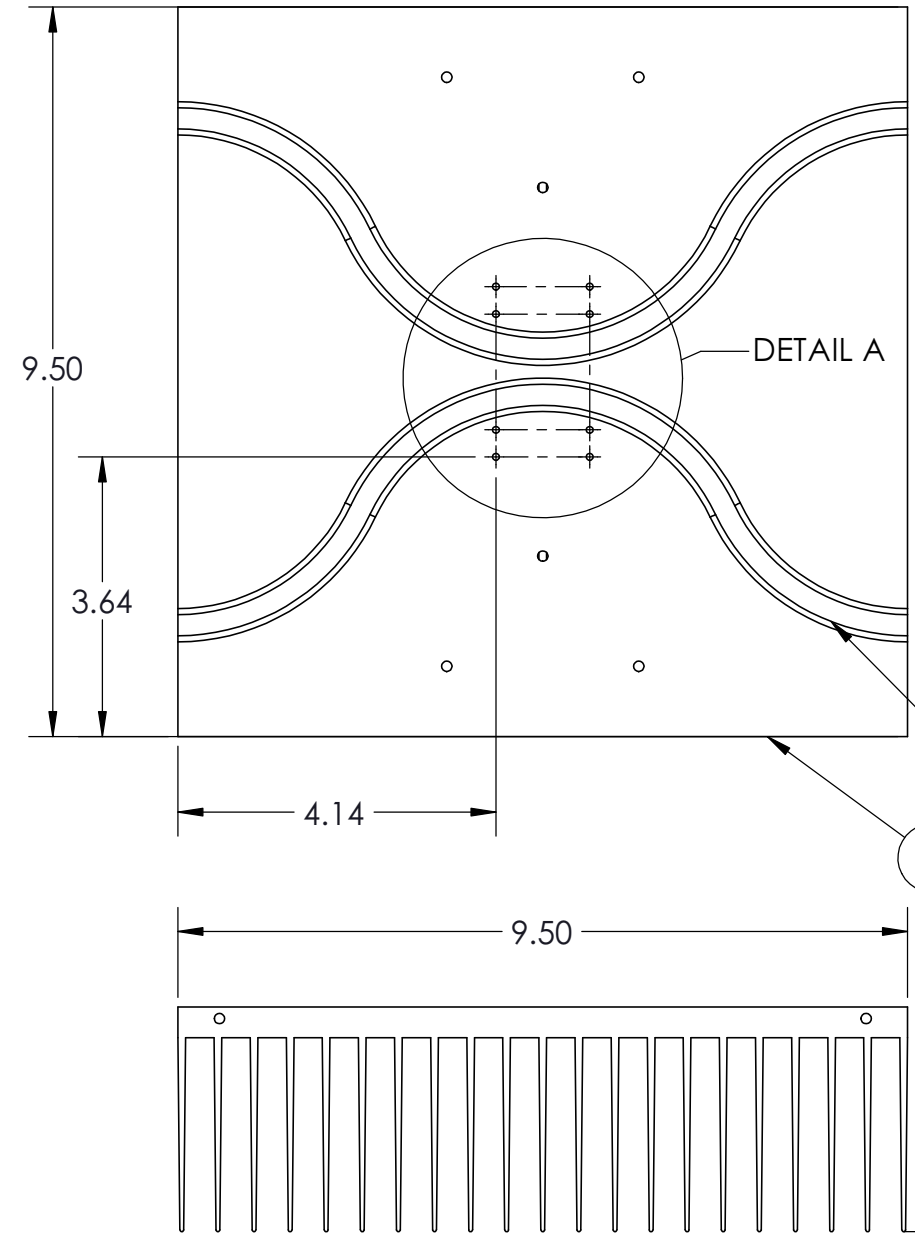


REVISIONS				
REV	TRACKING NO.	DESCRIPTION OF CHANGE	DATE	ORIGINATOR



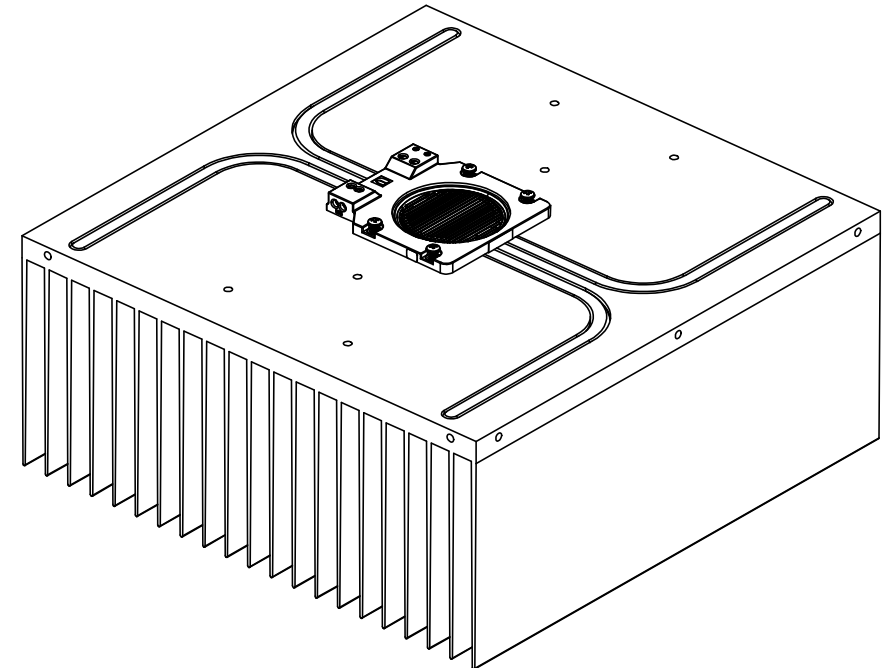
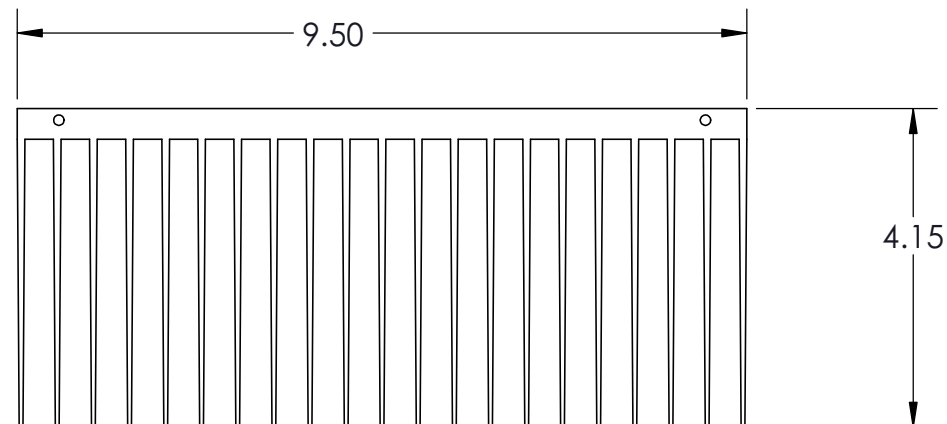
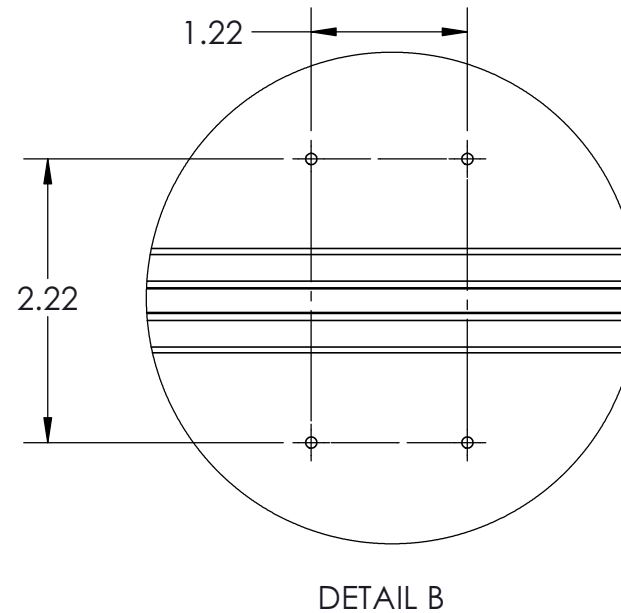
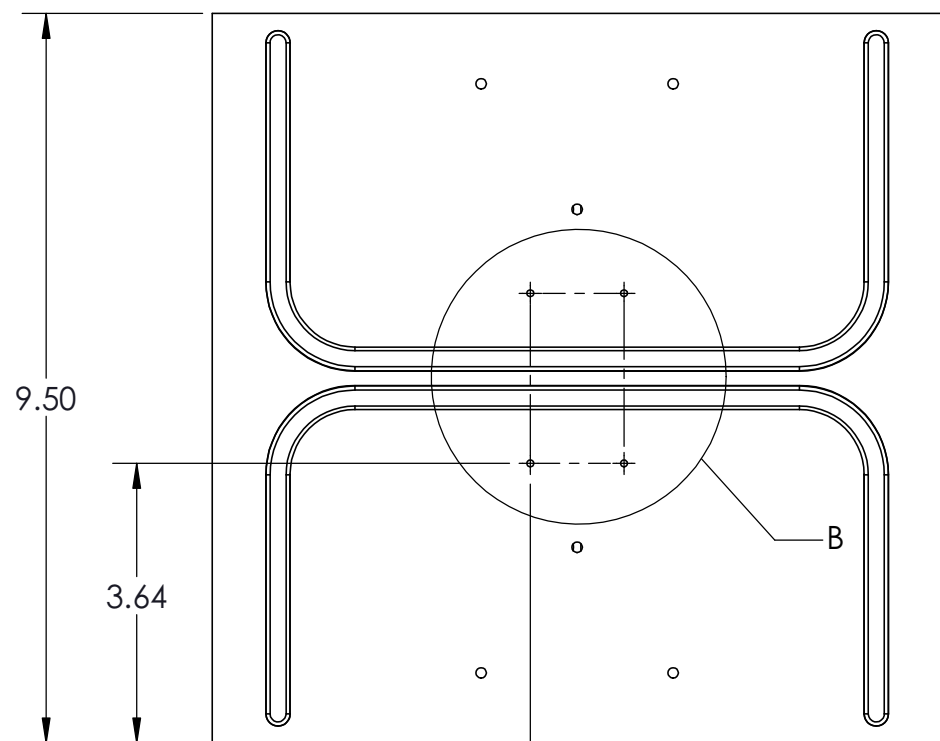
NOTES:

- 1. HEATSINK MATERIAL - 6063 ALUMINUM
- 2. HEATPIPE MATERIAL - COPPER

MODULE MOUNTING HOLE PATTERN		
PATTERN	TAP SIZE	ULT ROUND MODULE COMPATABILITY
A	4-40	MC10CC8XXM55CSH
B	4-40	M700C8XXM10KSV

IN PROCESS-INITIAL CREATION

MATERIAL:	UNLESS OTHERWISE SPECIFIED DIMENSIONS ARE IN INCHES. TOLERANCES: X/X= ± 1/64 .XX= ± .01 .XXX= ± .005 $\angle = \pm 0^\circ 30'$	THIRD ANGLE PROJECTION 	
	DRAWN BY:	DATE	
FINISH:	MECHANICAL ENGINEER:	DATE	1/28/2014
MODEL FILE NAME: 73001700		REV: 07	SIZE B SCALE 1:4 DWG. NO. LUGA HEATSINKS SHEET 1 OF 2



- NOTES:
1. HEATSINK MATERIAL - 6063 ALUMINUM
 2. HEATPIPE MATERIAL - COPPER

MODULE MOUNTING HOLE PATTERN	
TAP SIZE	ULT ROUND MODULE COMPATABILITY
4-40	M700C8XXM14KSV

INPROCESS-INITIAL CREATION

Universal
Lighting Technologies

TITLE: 5500, 7K, 10K & 14K LUMEN
DOWNLIGHT

SIZE B	SCALE 1:4	DWG. NO. LUGA HEATSINKS SHEET 2 OF 2	DRW REV
------------------	---------------------	---	---------