

## Ballastar® System Installation

**Warning! All Ballastar® components are to be installed per the label diagram and in accordance with applicable electrical codes.**

### Mounting

- ❑ Ballastar® ballasts must be mounted properly against a flat metal surface.
- ❑ Use a star washer or other paint penetrating device.
- ❑ Ballastar® ballasts may be remote mounted but maximum lead lengths must be limited according to the individual ballast specification.
- ❑ The fixtures used to mount Ballastar® ballasts must have an internal ambient temperature less than 40°C.
- ❑ Fluorescent fixtures should not be mounted in areas with drafts (causes dimming due to airflow).
- ❑ Lamp to starting aid (Grounded Fixture Surface) spacing must be 1/8 to 1/2 inch.
- ❑ Lamps must not touch any grounded metal.
- ❑ Lamp support brackets (if used) must not be metallic

### Ballastar® System Wiring

**CAUTION! : Before installing or troubleshooting any Ballastar® components, disconnect AC power to prevent possible electric shock and unit damage.**

#### Power Wiring

- ❑ SW1 & SW2 must be wired on same phase.
- ❑ The maximum number of ballasts on circuit is limited by the capacity of the switches, conductors, over current protection, etc.
- ❑ Ballasts and luminaries must be properly grounded.
- ❑ SW1 & SW2 can be toggle switches or other suitably rated contact-closure devices.

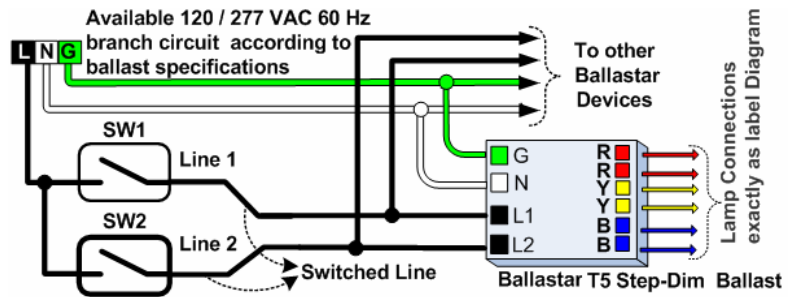
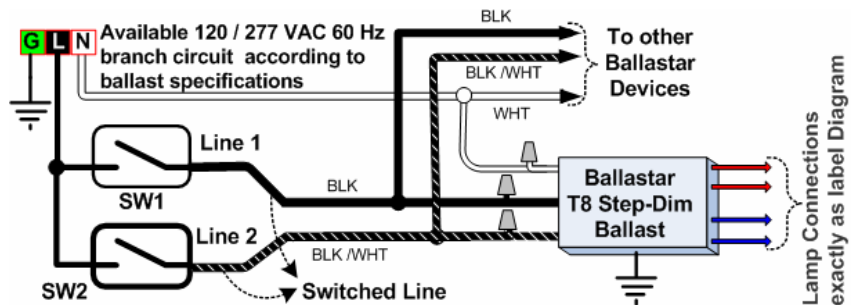


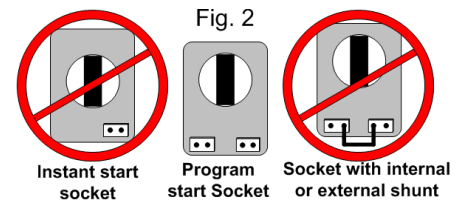
Fig 1 T5 Ballast wiring

Fig 2 T8 Ballast wiring



#### Lamp Wiring

- ❑ Ballastar® ballasts must be wired **EXACTLY** as stated on the ballast label. Incorrect wiring can result in malfunctions and/or reduced lamp life.
- ❑ Keep the lead length **AS SHORT AS POSSIBLE** (but do not bundle leads).
- ❑ Use consistent lead lengths for all fixtures in a room to avoid non-uniformity.
- ❑ Use the same lamp type for all fixtures in a room to avoid non-uniformity.
- ❑ Burn lamps at full bright for at least 12 hours before dimming for the first time.
- ❑ Never use shunted or instant start lamp sockets with Ballastar® ballasts (see fig 3).
- ❑ Always use correctly rated lamp sockets.



Installations resulting in twisted, folded or bundled lamp wires, and applications routing lamp wires in very narrow channels, should be validated by test. This test should be conducted at the target input voltage, and at both the maximum and minimum intensity levels. Test criteria should include acceptable starting performance with cold lamps as well as steady and uniform illumination during and after stabilization of the lamp temperature.

For further assistance or ordering information please contact Universal lighting technologies @ 1-800-BALLAST or visit our website at <http://www.unvlt.com>