



EVERLINE®

SURGE PROTECTORS 10kV and 20kV

FEATURES & BENEFITS

- 10kV/kA and 20kV/kA models
- 277V and 480V line voltage
- Available with a threaded J-Box Mount
- Easy to install and replace
- Protection for Line-Neutral, Line-Ground, and Neutral-Ground connections.
- Thermally protected for transient over voltage (10kV/kA)

Protect Your Investment

Surge Protectors from Universal Lighting can protect your devices from extreme voltage fluctuations to ensure years of continuous operation.

The increased use of LED based lighting in outdoor applications introduces unique challenges to fixture reliability. While fixture components are designed to handle variations in input power, being connected directly to the main power lines introduces additional complications. Lightning strikes, switching, and other events can be far more severe directly on the powerlines and require additional protection.

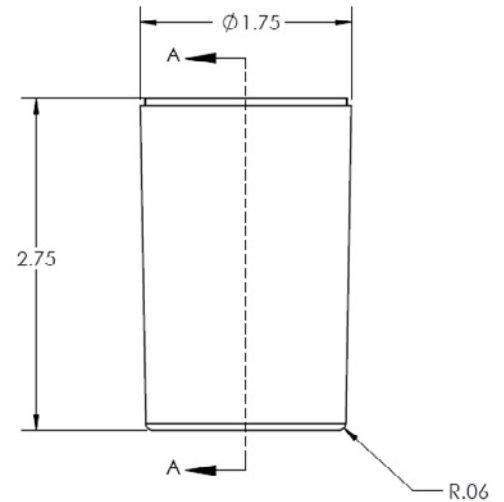
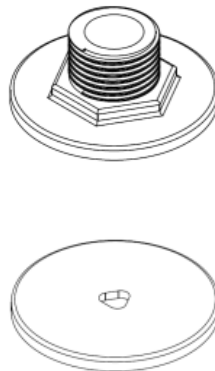
EVERLINE® surge protection devices are inserted between line voltage and the driver to provide system wide protection. Capable of managing a surge of up to 20kV, these devices eliminate the need for internal fixture components rated to extreme voltages.

When transients are present, the surge protector clamps the voltage to a safe level for the driver and fixture components. As transients are mitigated, these product are degraded and will need to be replaced over time. When exhausted, they can be easily replaced in the field for continuous protection.

Model #	Line Voltage	Max Surge Voltage	J-Mount	Clamping Voltage
SS10-277	277V	10kV	-	840V
SS10J-277	277V	10kV	x	840V
SS10-480	480V	10kV	-	1500V
SS10J-480	480V	10kV	x	1500V
SS20-277	277V	20kV	-	840V
SS20J-277	277V	20kV	x	840V
SS20-480	480V	20kV	-	1500V
SS20J-480	480V	20kV	x	1500V

Features

- Surge protection according to IEEE C62.41.2 C-High (10kV or 20kV)
- High temperature plastic enclosure 185°F / 85°C max case temperature
- Thermally protected transient over voltage protection
- Surge location rated category C3



See an application note for more information at www.unvlt.com/productLines/ballast/led.html

Data Subject to Change Without Notice
Lit# EVSRGPRT0915