



HomeStar™

A Triad® Brand

Electronic Ballast Technology for the Residential Market

The new **HomeStar™** ballast family from Universal Lighting takes residential ballast technology to the next level by offering many of the same features found in commercial grade electronic ballasts, including low profile dimensions, quiet operation and outstanding efficiency. The **HomeStar™** ballast takes advantage of new component technology to give you a smaller, lighter ballast that fully complies with FCC consumer regulations for residential applications.

The 120-volt **HomeStar™** ballast family includes ballasts for one or two F32T8 lamps—and three- or four-lamp F32T8 applications—and offers the residential customer a wide range of benefits. The ballasts feature instant start technology, which enables the lamps to turn on immediately without any initial glowing or flickering. The **HomeStar™** ballast also offers parallel lamp operation, which means when one lamp fails, the others remain lit. This allows the homeowner to easily identify the failed lamp. The **HomeStar™** ballasts carry an “A” sound rating, ensuring extremely quiet operation. And they operate down to 0° F starting temperature, which is suitable for garages, closets and rec rooms in most regions.

Because of its high efficiency, the **HomeStar™** ballast meets all Energy Star® requirements. And its low profile dimensions provide designers greater flexibility in creating residential fixtures.

Features & Benefits

- High operating efficiency—meets Energy Star® requirements.
- The family includes two models that operate one to four F32T8 lamps.
- ANSI rated “full” (.88 Ballast Factor) light output for F32T8 lamps.
- Reliable starting temperature down to 0° F—great for garage installations in most regions.
- Instant start technology for quick last strike.
- Parallel lamp operation—when one lamp fails, the other remains lit.
- “A” sound rating ensures quiet operation.
- Small dimensions and lighter weight for fixture design flexibility.
- Fully complies with FCC consumer regulations for residential applications.

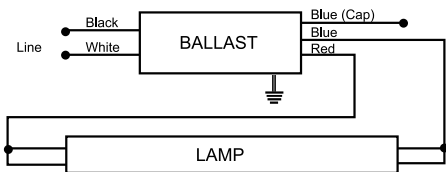


HomeStar™ Ballasts for Residential Applications

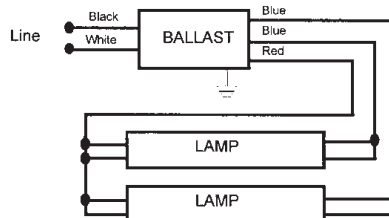
Catalog Number	Lamp Type	Qty.	Volts	Input Watts	Nominal Line Amps	Power Factor	Ballast Factor	Total Harmonic Distortion	Wiring Diagram
B2321120RES-A									
	F32T8	2	120	56	0.80	>.50	.88	<120%	2
	F25T8	2	120	46	0.64	>.50	.92	<130%	2
	F17T8	2	120	32	0.49	>.50	.94	<140%	2
	F32T8	1	120	35	0.53	>.50	1.06	<135%	1
	F25T8	1	120	28	0.43	>.50	1.08	<150%	1
	F17T8	1	120	21	0.35	>.50	1.08	<150%	1
B4321120RES-A									
	F32T8	4	120	109	1.40	>.50	.87	<130%	4
	F25T8	4	120	85	1.13	>.50	1.06	<130%	4
	F17T8	4	120	61	0.84	>.50	1.51	<130%	4
	F32T8	3	120	92	1.20	>.50	1.04	<130%	3
	F25T8	3	120	71	0.96	>.50	1.38	<130%	3
	F17T8	3	120	51	0.72	>.50	1.96	<135%	3

WIRING DIAGRAMS FOR HOMESTAR RESIDENTIAL BALLASTS

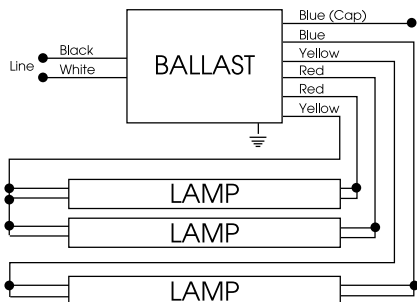
WIRING DIAGRAM 1



WIRING DIAGRAM 2



WIRING DIAGRAM 3



WIRING DIAGRAM 4

