

Multi-5[®] Uni-Pak

The Complete HID Solution



NOW INCLUDING...

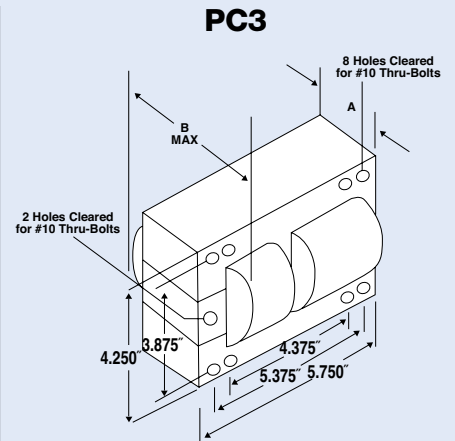
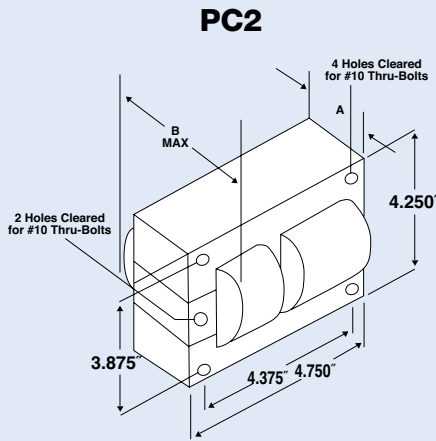
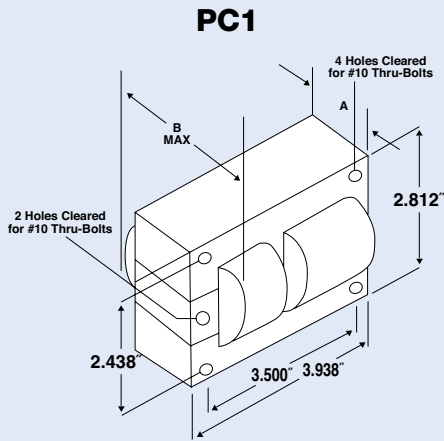
pulse start metal halide kits for 250W, 320W, 400W, and 750W applications.

Universals Multi-5 Uni-Pak's include our standard distributor kit containing the core & coil, capacitor, ignitor (if needed), and mounting hardware and adds a matched lamp all in a UPS ready to ship box.

Multi-5 ballasts include color coated leads for wiring ease (120V, 208V, 240V, 277V, and 480V).

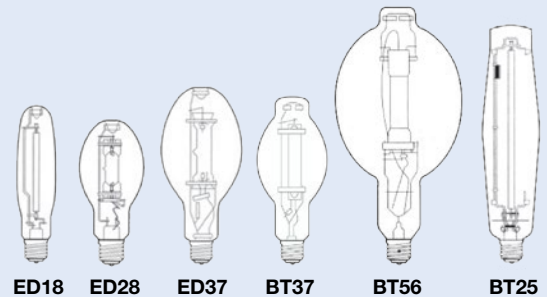
Catalog Number	Description	Length	Height	Width	Weight
M175ML5AC3M555K	175W MH M57 Multi-5™ Ballast & M57 Lamp Kit	11.5	10.0	5.0	9.0
M250ML5AC3M555K	250W MH M58 Multi-5™ Ballast & M58 Lamp Kit	12.1	6.8	12.1	11.8
M250ML5AC4M555K	250W MH M58 Multi-5™ Ballast & M58 Lamp Kit	12.1	6.8	12.1	14.1
M400ML5AC4M555K	400W MH M59 Multi-5™ Ballast & M59 Lamp Kit	12.6	6.6	14.0	14.7
M1000ML5AC5M555K	1000W MH M47 Multi-5™ Ballast & M47 Lamp Kit	18.0	17.0	8.5	25.1
P250ML5AC4L555K	250W PSMH M153 Multi-5 Ballast & M153 Lamp Kit	12.1	6.8	12.1	13.0
P320ML5AC4L555K	320W PSMH M154 Multi-5 Ballast & M154 Lamp Kit	12.6	6.6	14.0	14.7
P400ML5AC4L555K	400W PSMH M155 Multi-5 Ballast & M155 Lamp Kit	12.6	6.6	14.0	14.7
P750ML5AC5M555K	750W PSMH M149 Multi-5 Ballast & M149 Lamp Kit	18.0	17.0	8.5	20.5
S250ML5AC40555K	250W HPS S50 Multi-5™ Ballast & S50 Lamp Kit	12.1	6.8	12.1	11.0
S400ML5AC4M555K	400W HPS S51 Multi-5™ Ballast & S51 Lamp Kit	12.1	6.8	12.1	18.1
S1000ML5AC5M555K	1000W HPS S52 Multi-5™ Ballast & S52 Lamp Kit	18.0	17.0	8.5	26.0

REFERENCE DIAGRAMS



Lamp Data for Multi-5 Uni-Pak

Wattage	Description	Bulb	Base	Color	CRI
175W MH	MVR175/U	ED28	Mogul	4000	65
250W MH	MVR250/U	ED28	Mogul	4200	65
400W MH	MVR400/U	ED37	Mogul	4000	65
1000W MH	MVR1000/U	BT56	Mogul	4000	65
250W PSMH	MVR250/VBU	ED28	Mogul	4200	65
320W PSMH	MVR320/VBU	ED28	Mogul	4000	65
400W PSMH	MVR400/VBU	ED28	Mogul	4000	65
750W PSMH	MVR750/VBU	BT37	Mogul	4000	65
250W HPS	LU250	ED18	Mogul	2100	22
400W HPS	LU400	ED18	Mogul	2100	22
1000W HPS	LU1000	E25	Mogul	2100	22



*It's **EASY**
to **REACH US...***

UNIVERSAL LIGHTING TECHNOLOGIES, INC.

51 Century Blvd., Suite 230
Nashville, TN 37214-3683

GENERAL INFO: **(615) 316-5100**

For Technical Engineering Services (TES), application support and warranty information, call **1-800-225-5278**

WEBSITE: **unvlt.com**

EMAIL: **webmaster@unvlt.com**

LIT#: M5UPPS051117