

HID MULTI-5[®] MAGNETIC BALLASTS

Featuring

UNIVERSAL PRECISE[™] DESIGN

Multi-5[®] HID

One Revolutionary Ballast for Nearly Every PULSE START METAL HALIDE, METAL HALIDE and HIGH PRESSURE SODIUM Need.

**5 Taps
5 Voltages**



Universal Lighting's Multi-5[®] is the industry's first five-voltages-in-one, high intensity discharge (HID) magnetic ballast family.

The Universal Precise[™] family of products offers these innovations:

- **Small and light design**
- **Color-coded leads for easier installation**
- **Easy-ordering catalog nomenclature**
- **Exceptional temperature performance**
- **No plastic pieces (extrusions)**
- **No exposed live metal parts**

The Multi-5[®] line takes the popular quad ballast design (120, 208, 240 and 277 volts) and adds 480-volt capability. That ensures you always have the right voltage HID ballast for every metal halide and high pressure sodium application.

The versatile Multi-5[®] is ideal for a wide range of HID applications, including large retail stores, sports arenas, parking lots, and roadways.

Multi-5[®] HID

Means Multiple Benefits for
Distributors, OEMs and End Users

It's amazing how just one ballast can offer so many benefits:

Distributors save both inventory space and working capital by stocking one ballast instead of two.

OEMs can rely on a cost-effective, added value element for their fixtures—a competitive edge in today's marketplace.

End Users enjoy the benefits of an ultrareliable ballast.

All Multi-5 ballasts voltage (120V, 208V, 240V, 277V, & 480V)

Pulse Start Metal Halide

Catalog Number	Wattage	Reference Diagram	Wiring Diagram
P250ML5AC4E*	250	PC2	2
P320ML5AC4E*	320	PC2	2
P400ML5AC4E*	400	PC2	2
P750ML5AC5E*	750	PC3	2
P1000ML5AC5E*	1000	PC3	2

Metal Halide

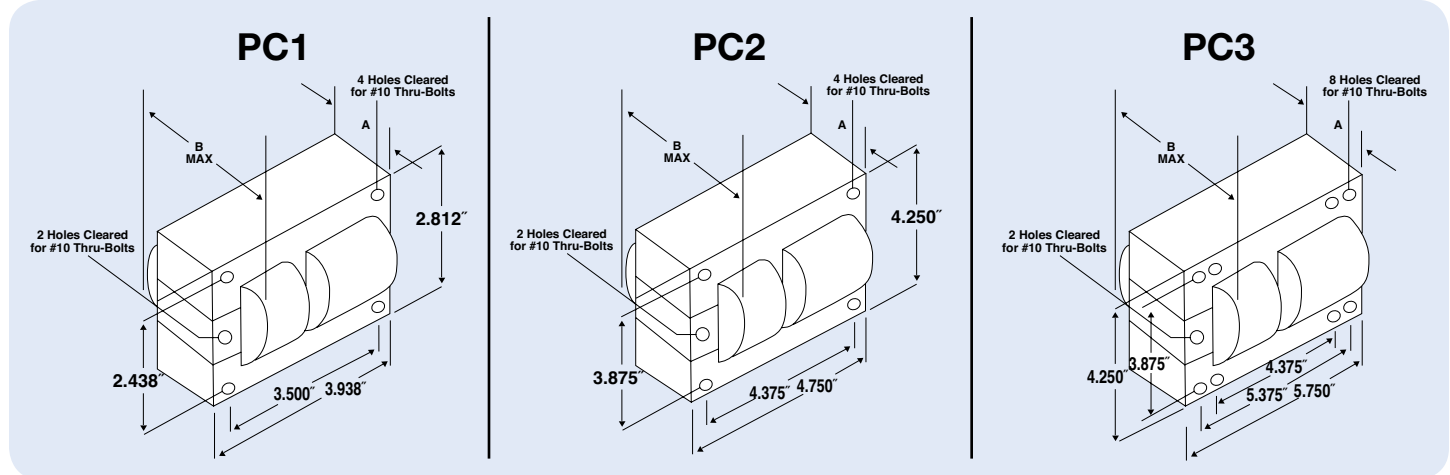
Catalog Number	Wattage	Reference Diagram	Wiring Diagram
M175ML5AC3M	175	PC1	1
M250ML5AC3M	250	PC1	1
M250ML5AC4M	250	PC2	1
M400ML5AC4M	400	PC2	1
M1000ML5AC5M	1000	PC3	1

High Pressure Sodium

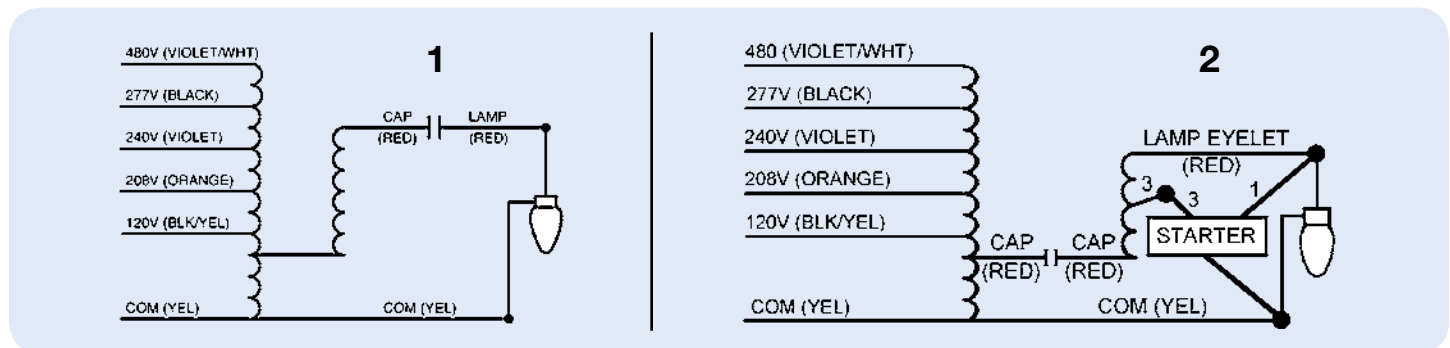
Catalog Number	Wattage	Reference Diagram	Wiring Diagram
S250ML5AC4M	250	PC2	2
S400ML5AC4M	400	PC2	2
S400ML5AC5M	400	PC3	2
S1000ML5AC5M	1000	PC3	2

*These ballasts are compliant with Department of Energy 2017 Efficiency Regulations

Reference Diagrams



Wiring Diagrams



LIT#: MHIDF020317