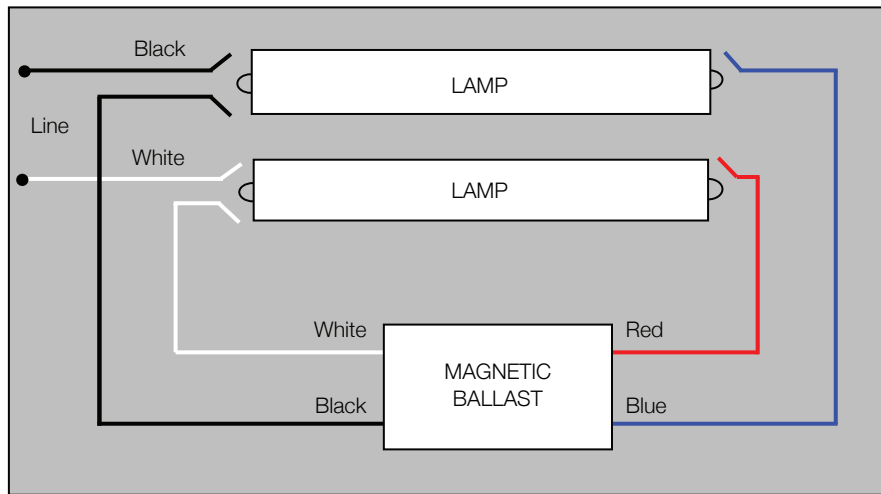
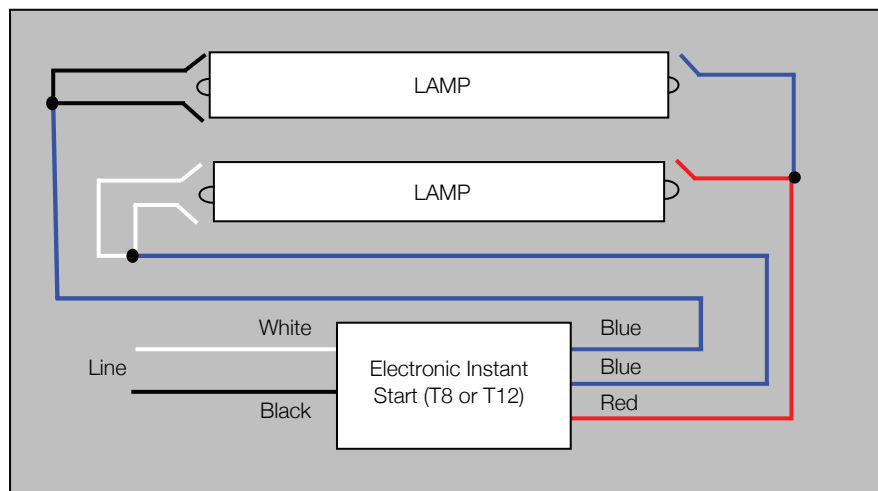


120V Magnetic Slimline to Electronic Instant Start

120V Magnetic Slimline (Instant Start) Wiring



Electronic (Instant Start) Wiring



Notes:

- This is applicable for 120 volt magnetic T12 to either electronic T12 or electronic T8 systems.
- Disconnect power to lighting fixture prior to servicing the fixture.