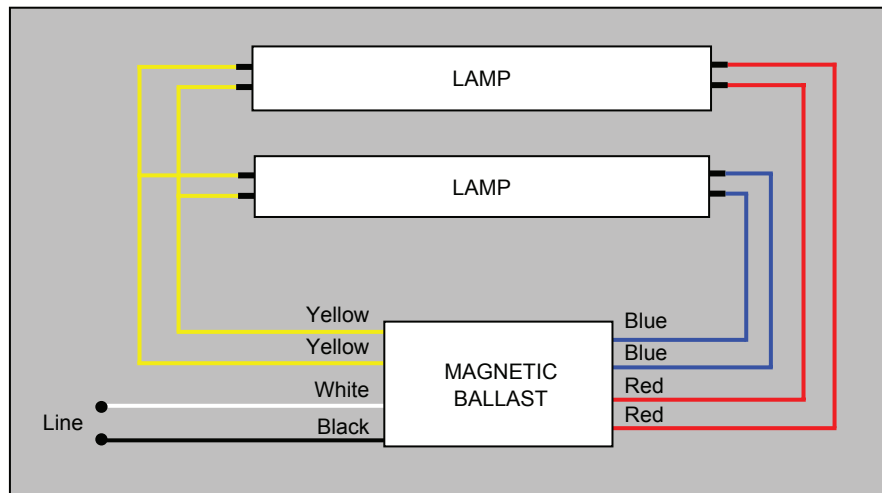
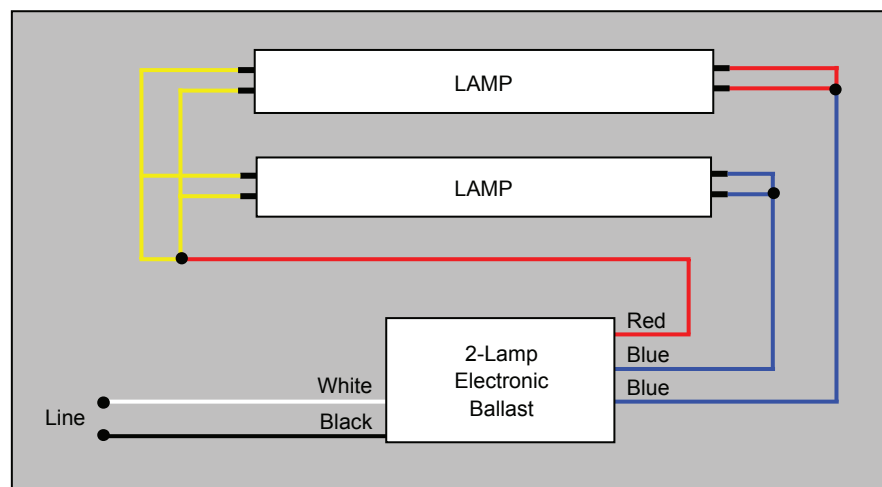


# 2-Lamp Rapid Start to 2-Lamp Electronic Instant Start

## 2-Lamp Rapid Start Wiring



## 2-Lamp Electronic (Instant Start) Wiring



### Notes:

- This is applicable for 2-lamp T12 rapid start to a 2-lamp electronic T8 system.
- Disconnect power to lighting fixture prior to servicing the fixture.