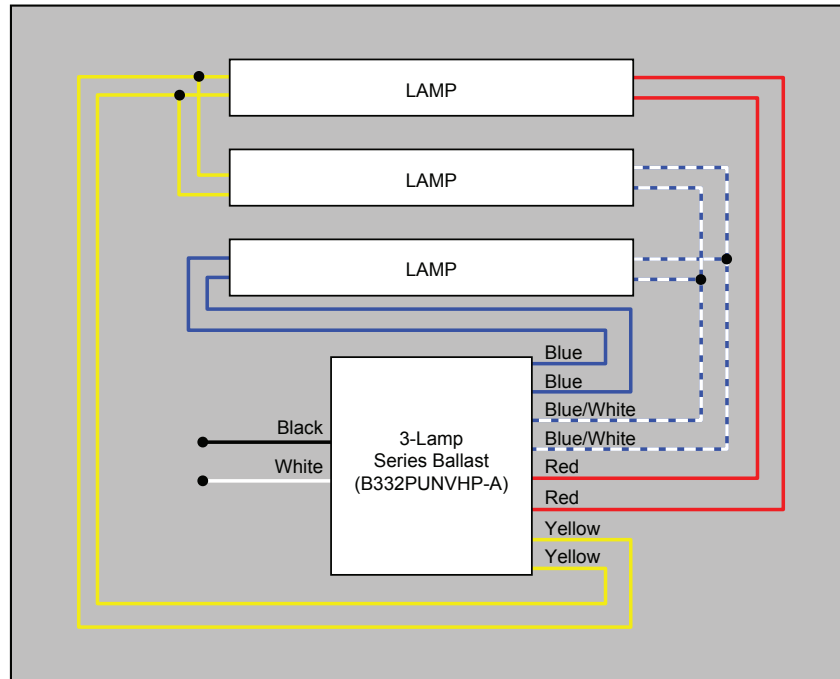
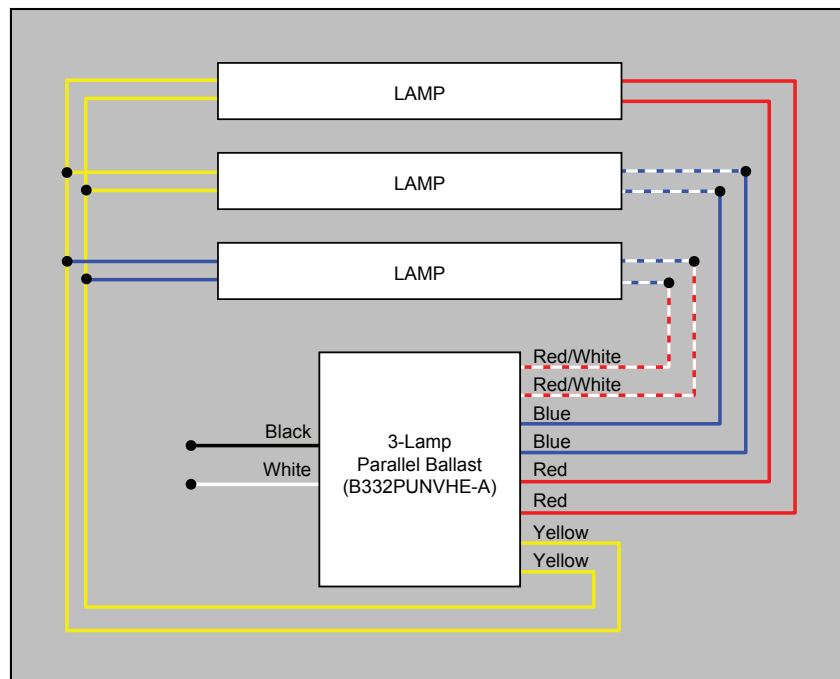


3-Lamp Programmed Start Series to Parallel

3-Lamp Programmed Start Series Wiring



3-Lamp Programmed Start Parallel Wiring



Notes:

- This is applicable for 3-lamp series to 3-lamp parallel systems.
- Disconnect power to lighting fixture prior to servicing the fixture.