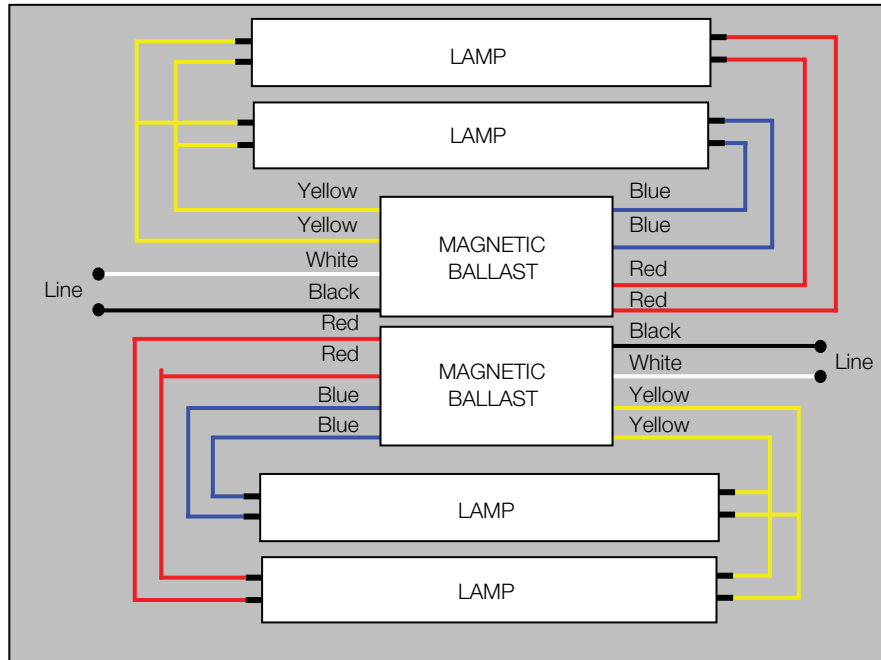
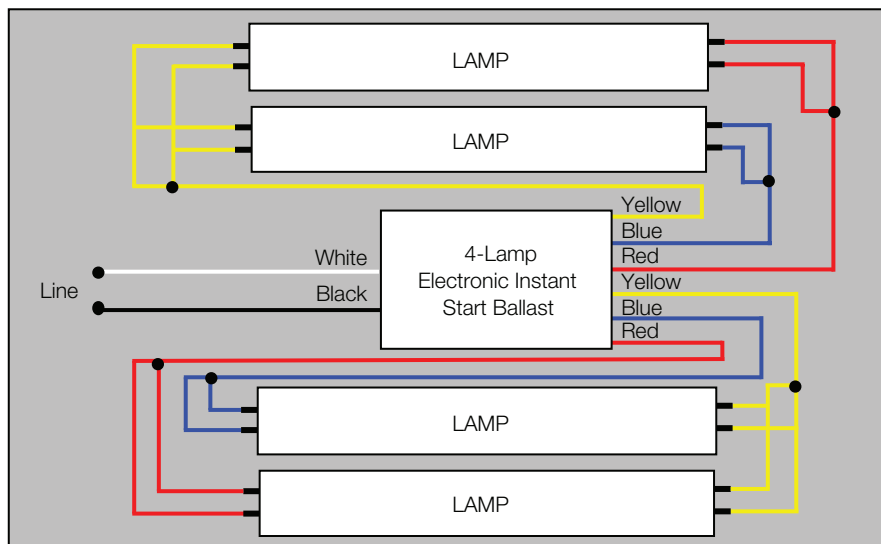


4-Lamp Rapid Start to 4-Lamp Electronic Instant Start

4-Lamp Rapid Start Wiring



4-Lamp Electronic (Instant Start) Wiring



Notes:

- This is applicable for 4-lamp T12 rapid start fixture with two 2-Lamp ballasts to retrofit to one 4-lamp electronic T8 instant start system.
- Disconnect power to lighting fixture prior to servicing the fixture.